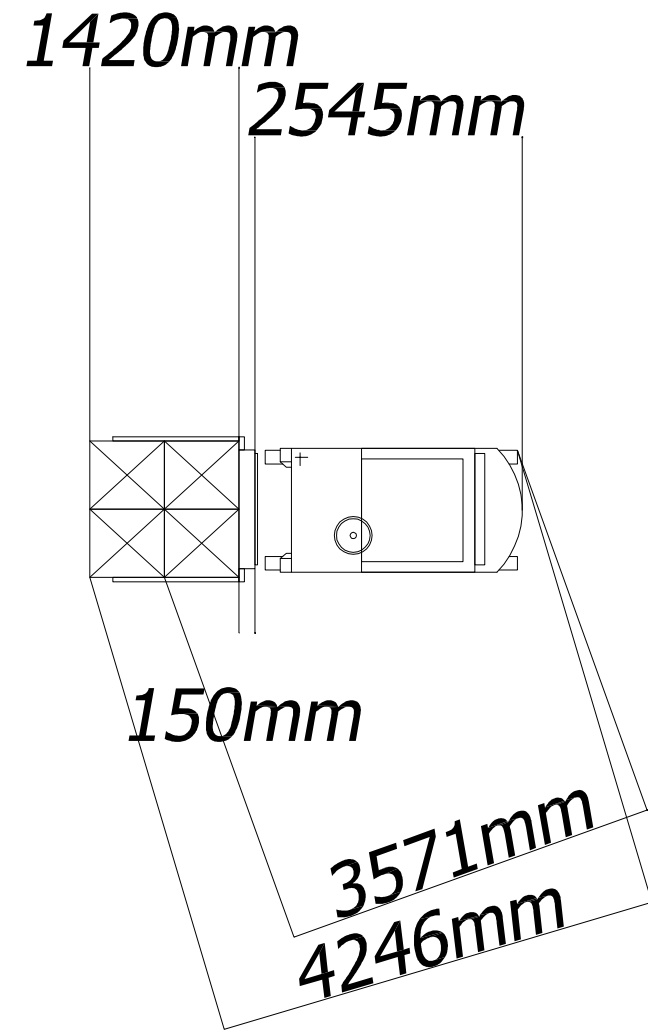
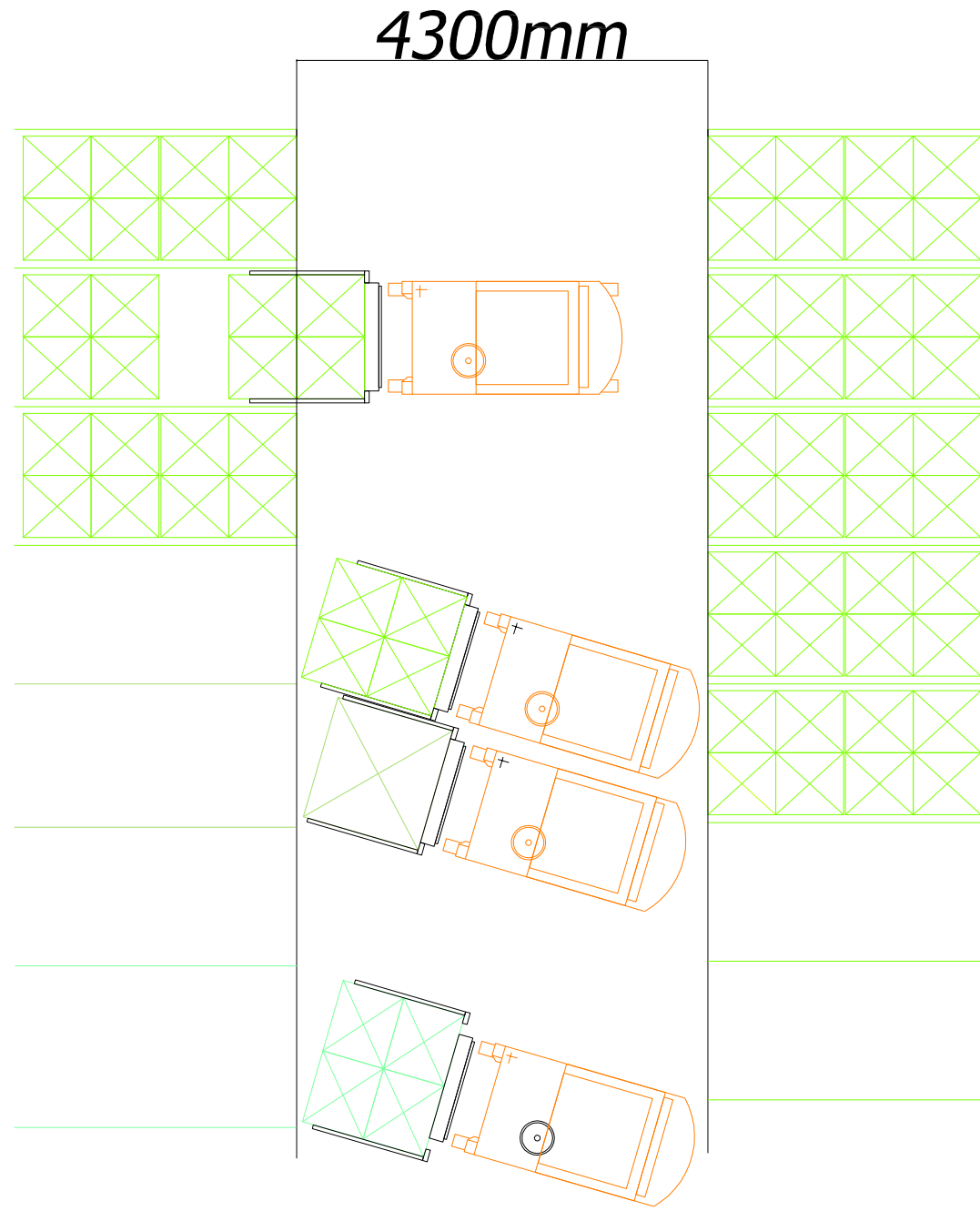


1 | 2 | 3 | 4 | 5 | 6 | 7 | 8 | 10

A  
B  
C  
D  
E  
F  
G  
H  
J



A  
B  
C  
D  
E  
F  
G  
H  
J

1 | 2 | 3 | 4 | 5 | 6 | 7 | 8 | 9 | 10

APPLICATION  
 PROPRIETARY INFORMATION  
 This drawing and all information is the property of  
**Means2 Consulting Ltd.**  
 Do not use or copy without written permission.  
 Drawing is subject to return on demand.



**Means2 Consulting Ltd.**  
 Hatton's Farm, The Street, Rumburgh,  
 Suffolk. IP19 0JU

SCALE: Not to Scale  
 DATE: August 03  
 DESIGNER: ARW  
 DRAWN: ARW  
 CHECKED:  
 ISSUED:

TITLE

CONTRACT NO.

SIZE  
A3

FILE NO. SHEET  
 1 OF 1

DRAWING NO. REV  
**AG 002 03** E